

# 556

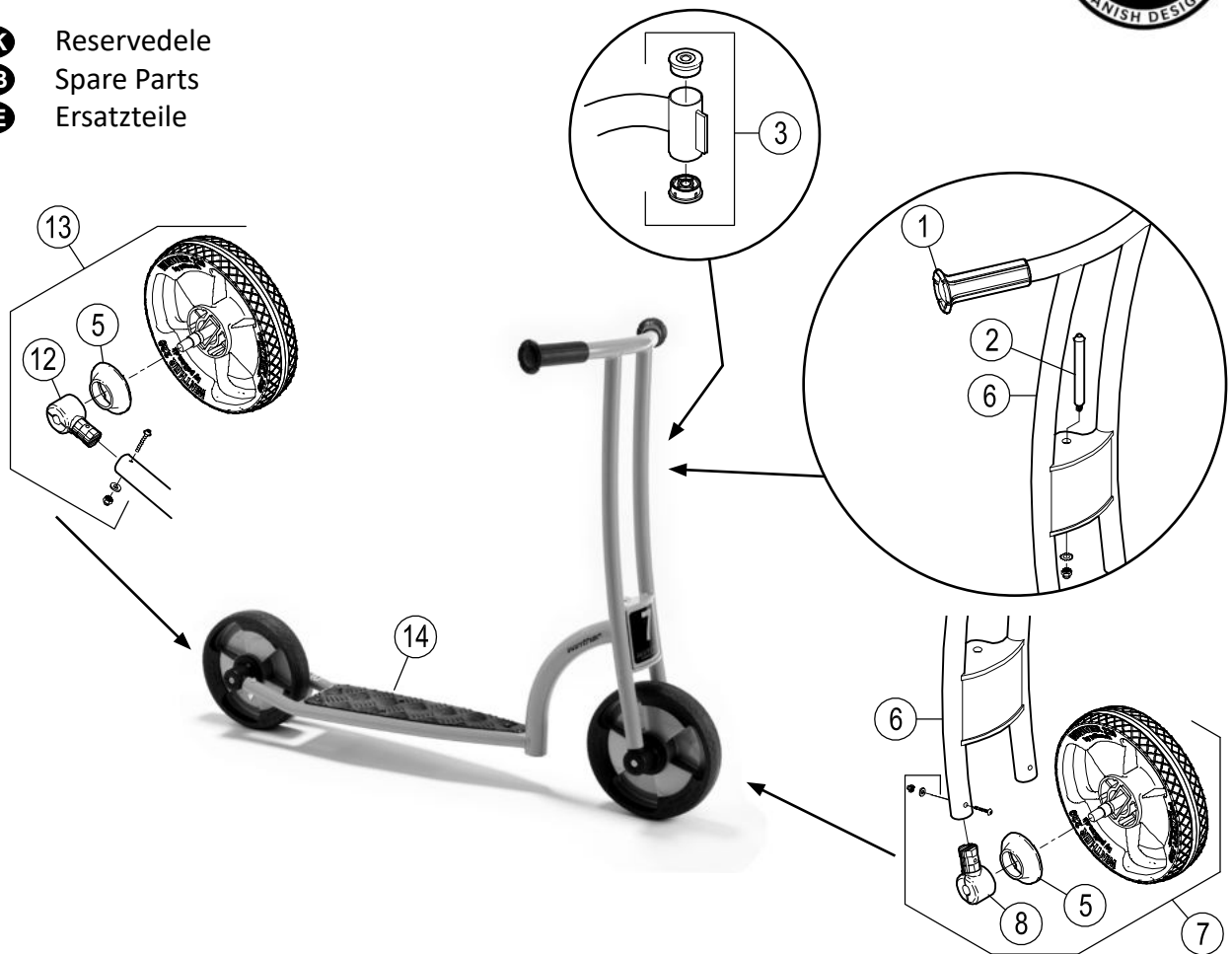


EN 71

ASTM F963



- DK** Reservedele
- GB** Spare Parts
- DE** Ersatzteile



Pos.		Pos.	
1	x2  x2	8	x2  x2  x2  x1
2	x1  x2  x1  x1  x1	9	
3	x2	10	
4		11	
5	x2	12	x2  x2  x2  x2  x1
6		13	
7		14	

# 556

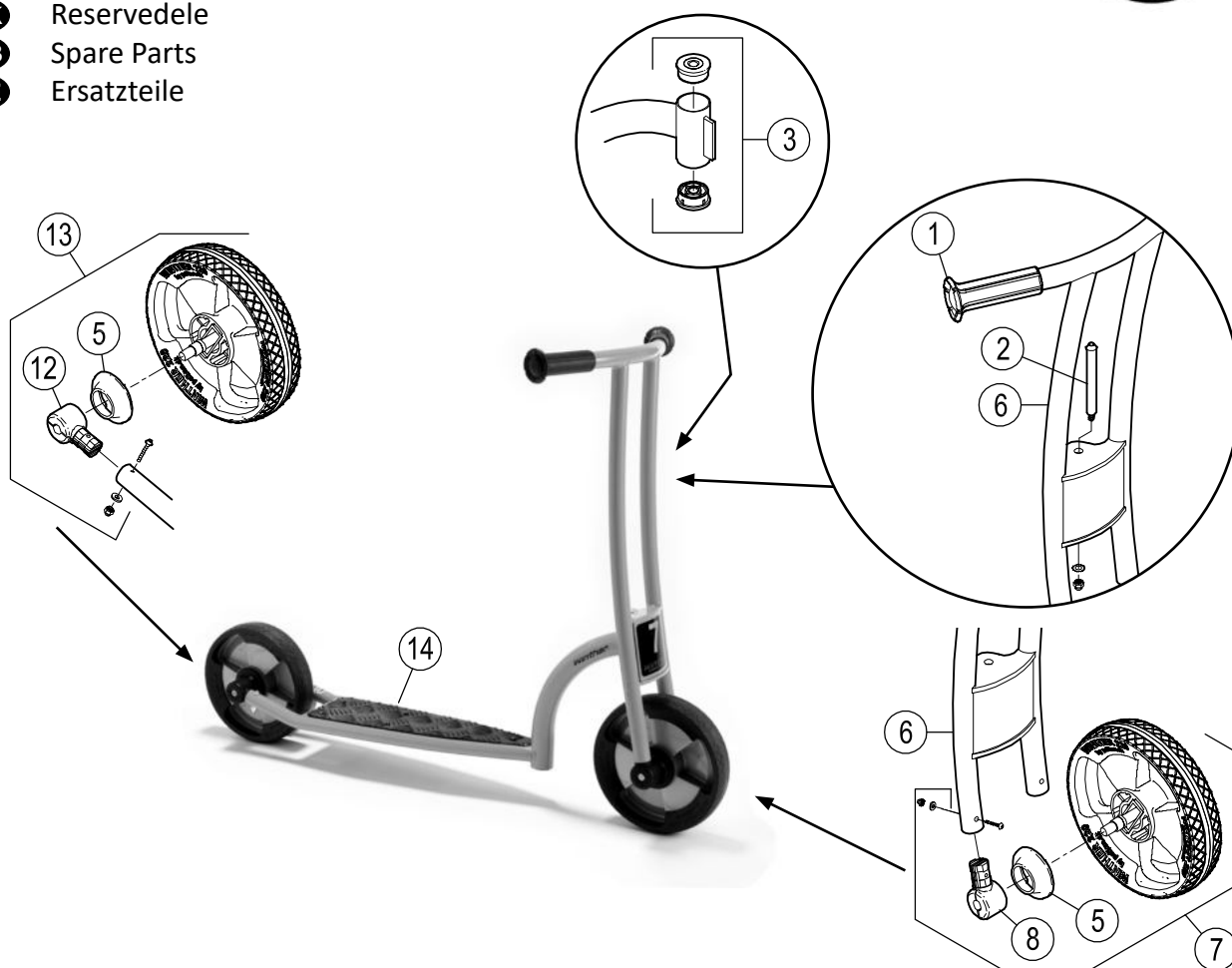


EN 71

ASTM F963



- DK** Reservedele
- GB** Spare Parts
- DE** Ersatzteile



556.00					
Version					
Pos.	3.1				
1	50417				
2	50401				
3	50404				
4	-				
5	50405				
6	50454				
7	50463				
8	50406				
9	-				
10	-				
11	-				
12	50407				
13	50473				
14	50486				
15	-				
16	-				
17	-				
18	-				

